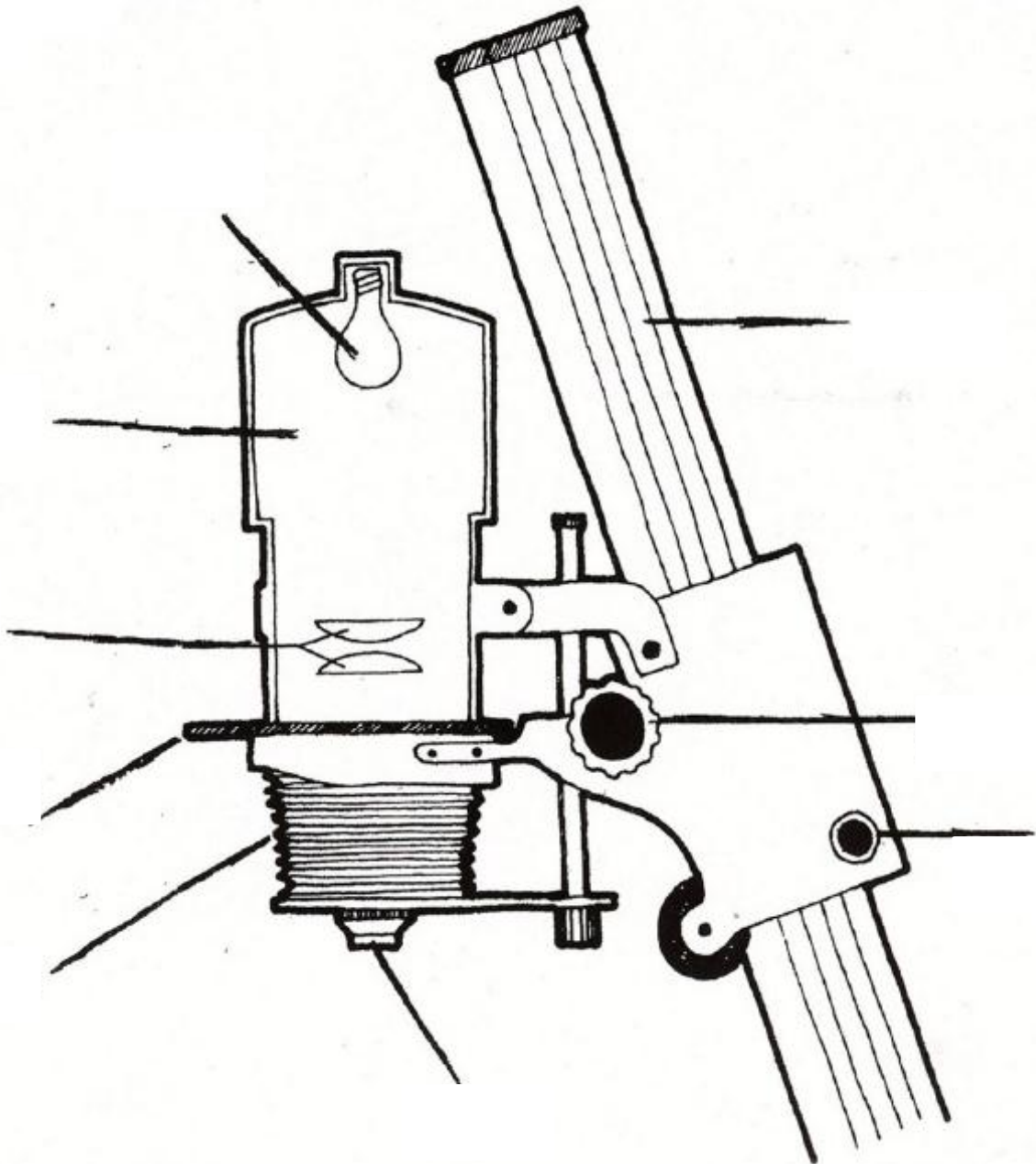


Parts of the Enlarger



x

